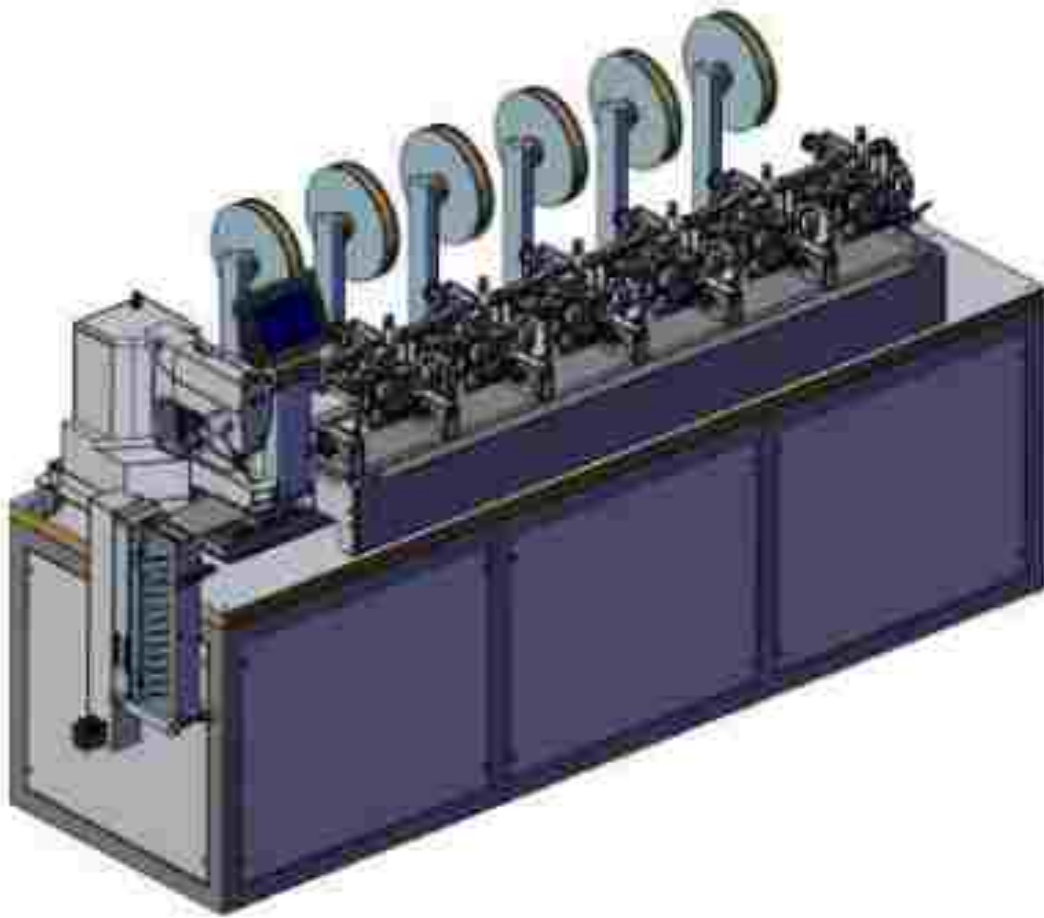


EFATECH LBS-6V1 LABEL SEWING MACHINE



TECHNICAL SPECIFICATIONS

APPLICATION		ULTRASONIC LABEL SEWING MACHINE LBS-6V1
SEWING HEAD	40X30 MM BARTACKING MACHINE, AUTOMATIC SEWING	
LABEL MOVEMENT	STEP MOTOR CONTROL	
CUTTING TYPE	20 KHZ ULTRASONIC CUTTING SYSTEM	
STACKING	OPTIONAL (STEP MOTOR CONTROL)	
CUTTING POINT DETECTION	CONTRAST SENSOR	
LABEL WIDTH	Min: 15 mm Max: 45 mm	
LABEL LENGTH	Straight Labels: Min=20 mm Max: 140 mm Folded Labels: Min=30 mm Max=140 mm	
LABEL STATION NUMBER	6 STATIONS (STANDARD)	
PRODUCTION CAPACITY	FOR THE FLAT LABEL WITHOUT FOLDING 1000 PCS / HOUR	
MAX SEWING SPEED	3200 rpm	
PNEUMATIC GROUP	SMC (JAPAN)	
AUTOMATION GROUP	MITSUBISHI (JAPAN)	
NOISE	MACHINE NOISE WHEN MACHINE OPERATED 3500 RPM L _{pe} 84dB	
VOLTAGE	220 V	
POWER	6 Kw	
AIR PRESSURE	6-7 BAR	
NET WEIGHT	300KG	

LABEL MOVEMENT

Label movement is controlled by a step motor.



Figure 3. Label Movement is made By Two Rollers.

CUTTING TYPE

Label cutting is made by (6 pieces) Ultrasonic Cutting Systems.

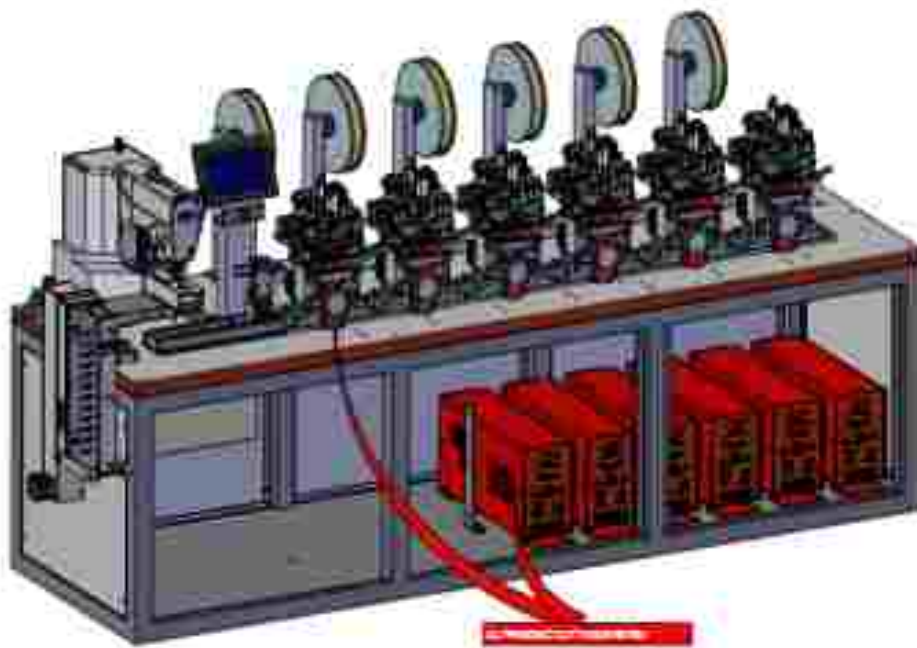


Figure 4. Ultrasonic Cutting Systems.

CUTTING POINT DETECTION

Cutting point detected by laser (contrast) sensor which is shown as figure 5.

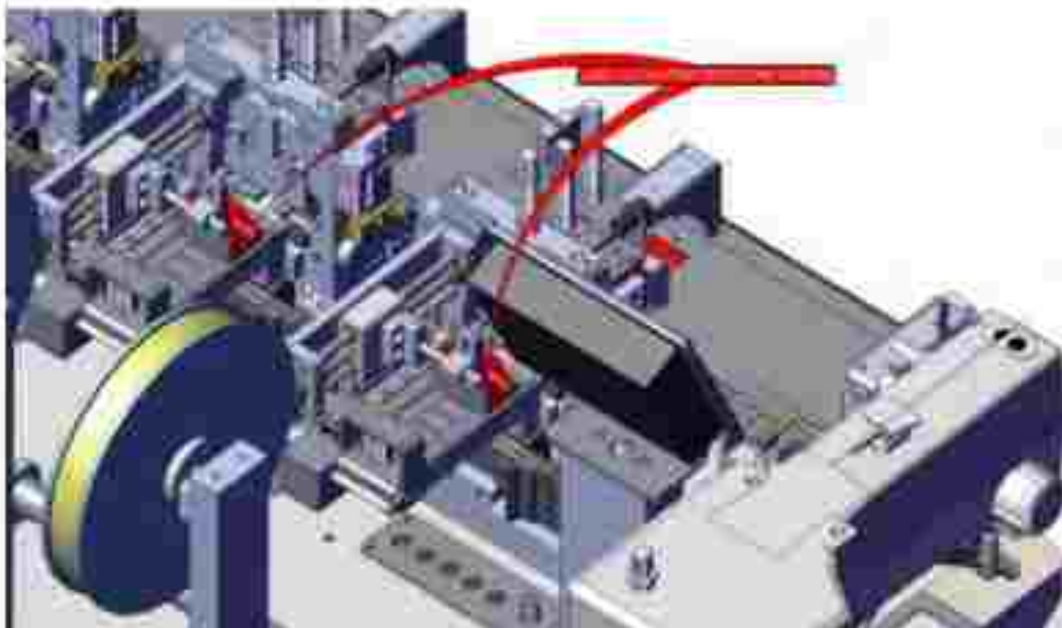


Figure 5. Contrast Sensor View.

STACKING SYSTEM

Efatech LBS-6V1 Label Sewing Machine has work preparation and an addible stacking system, it can be worked by automatically and stack the labels without an operator.

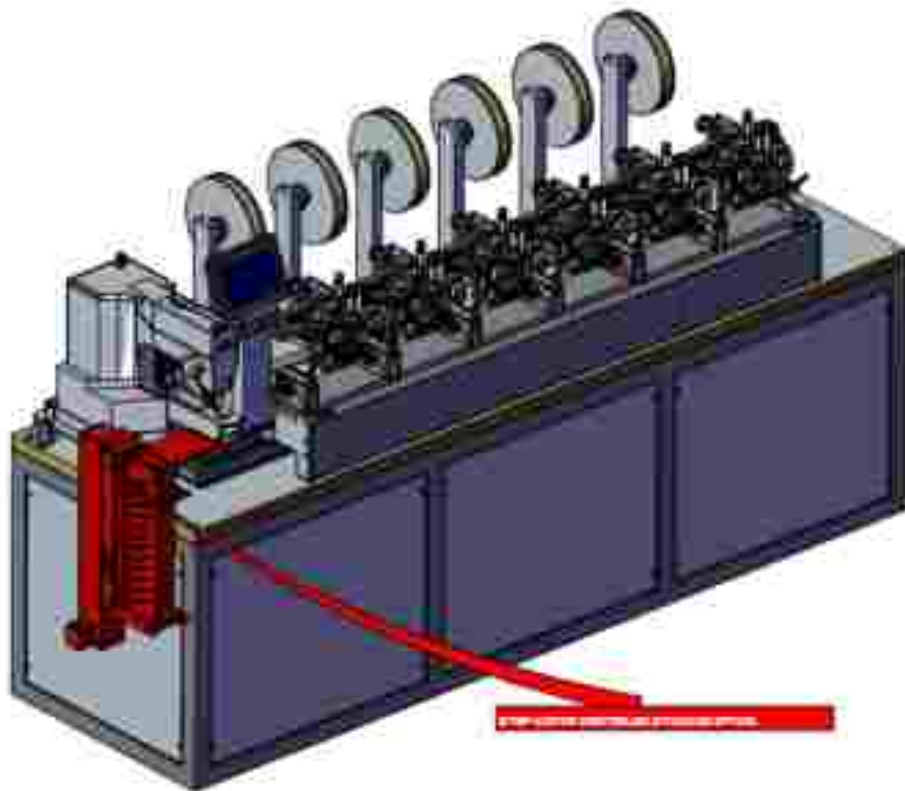


Figure 6. Stacking Option.

MACHINE CAPACITY

Machine capacity can be calculated without folding options. Folding options can be enabled on the consecutive stations which are needed.

1000 pcs/ Hour for Flat Label.

LABEL DIMENSIONS

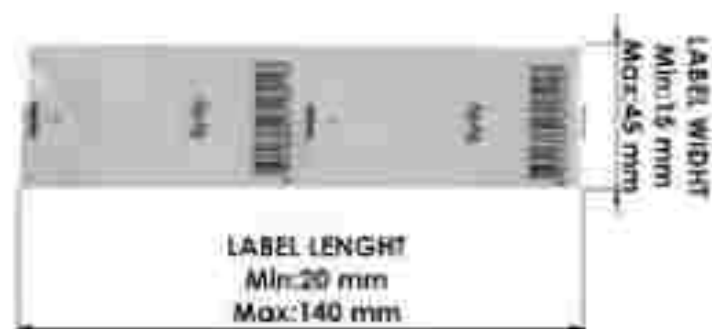
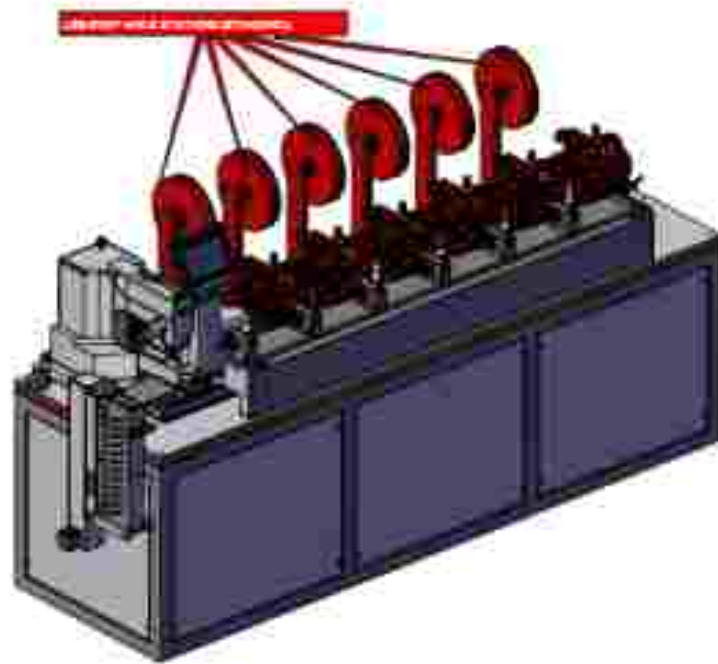


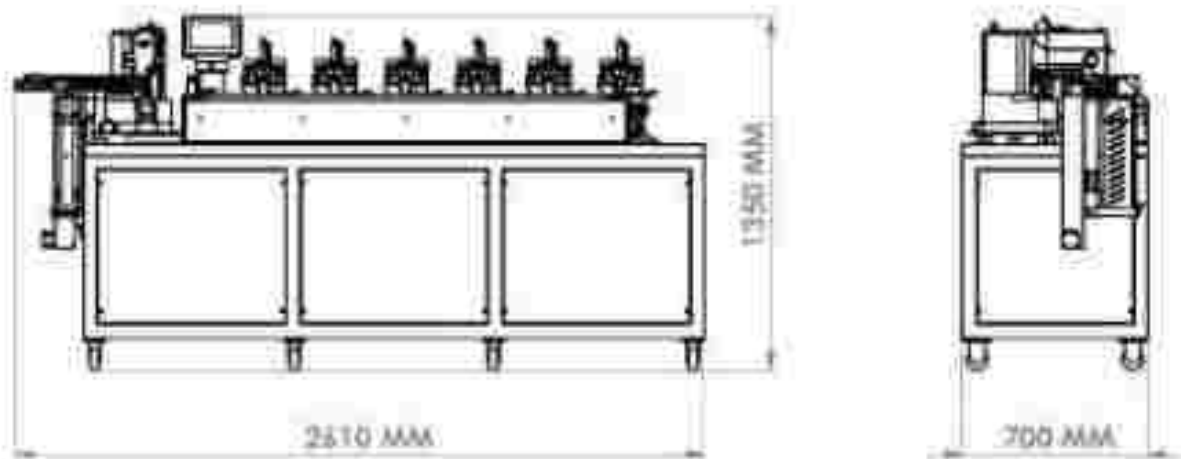
Figure 7. Label Max and Min Dimensions.

LABEL STATION NUMBER

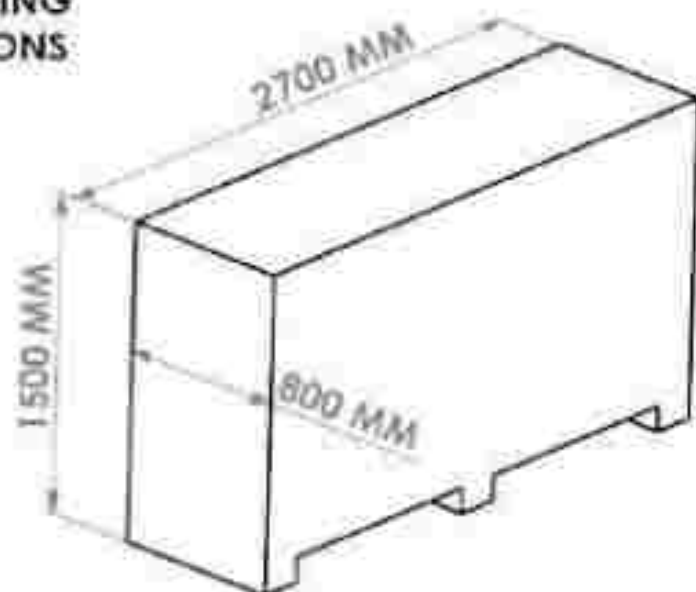


Machine has 6 label stations. Label stations can be increased or decreased optionally.

EFATECH LBS-6V1 LABEL SEWING MACHINE OVERALL DIMENSIONS



**PACKAGING
DIMENSIONS:**



For more information

Contact Us



www.efatech.com.tr

E-mail:

info@efatech.com.tr

Phone:

0290 232 481 1221