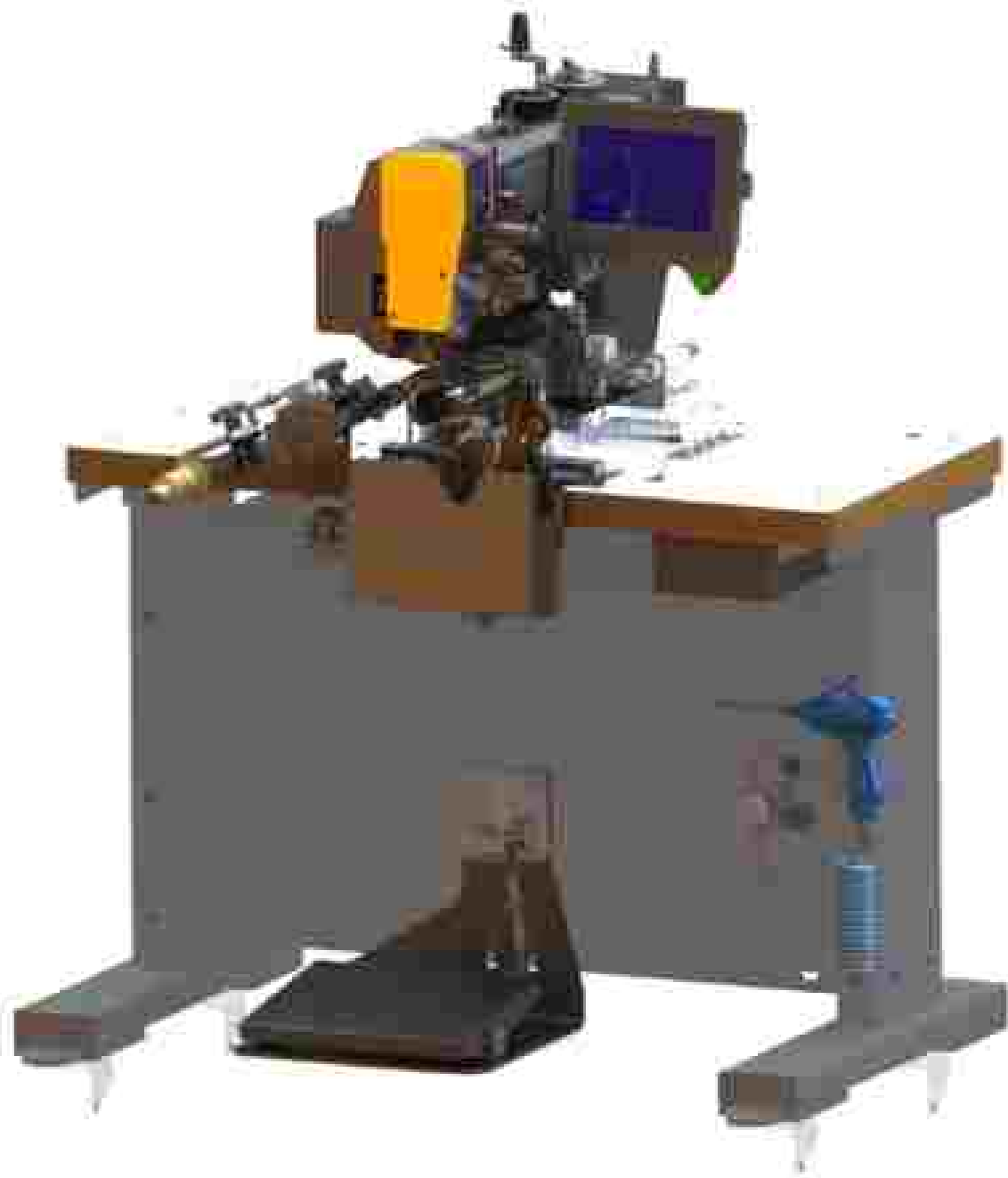


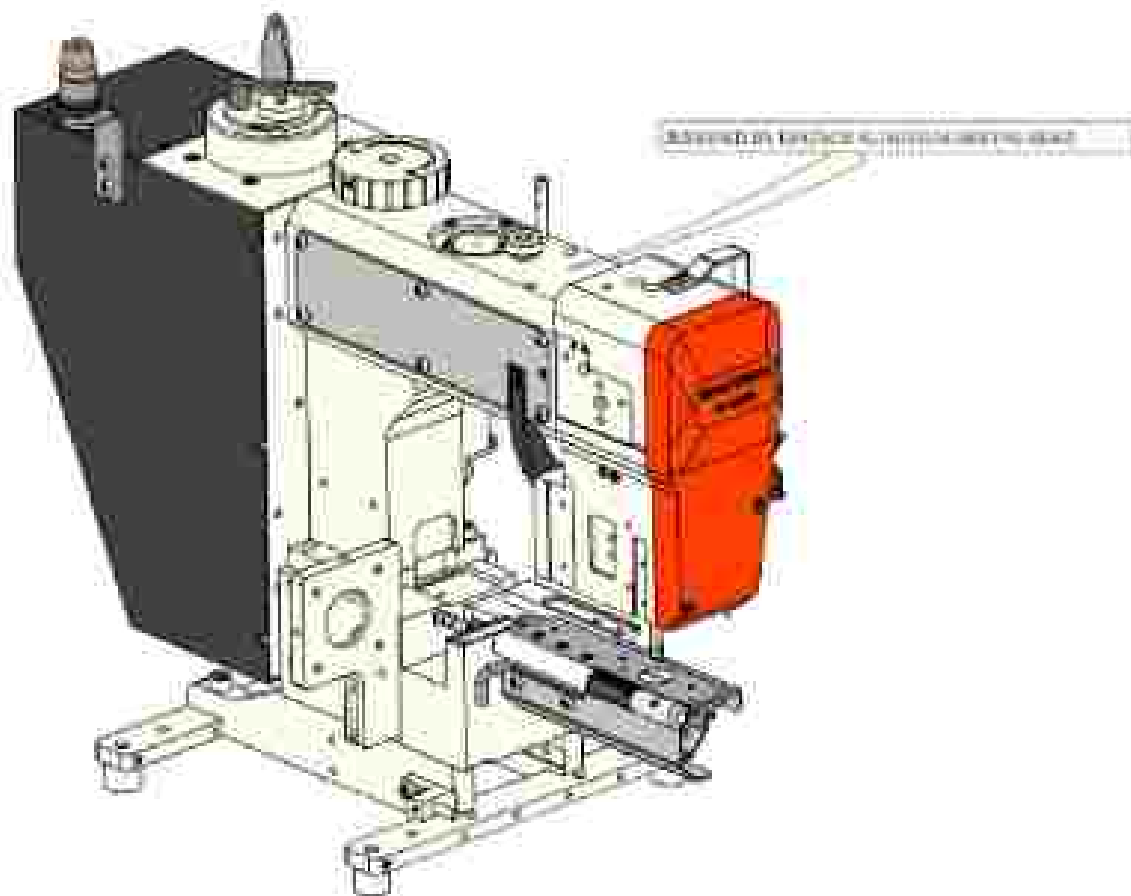
PC-40V3C BOTTOM HEMMING MACHINE CHINO



PC-40V3 TECHNICAL SPECIFICATIONS

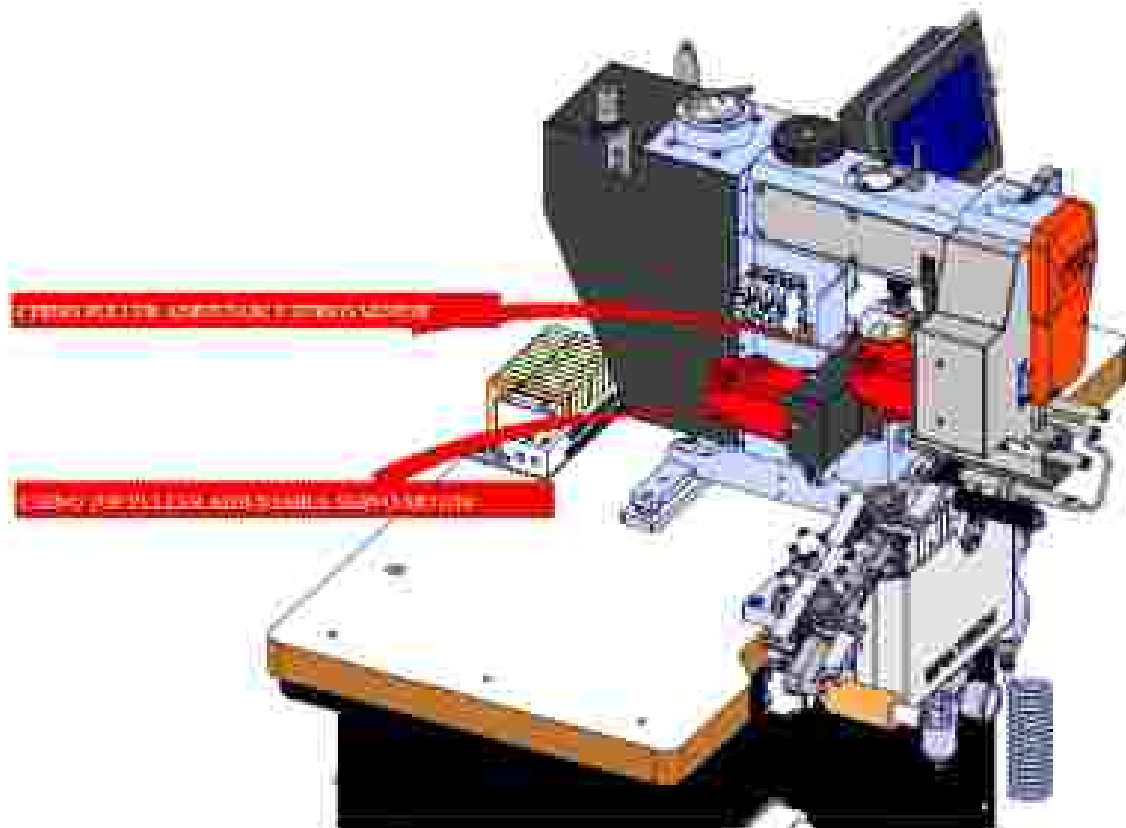
APPLICATION	PC-40V3H/PC-40V3C BOTTOM HEMMING MACHINE
OPTIONE	PC-40V3H FOR DENIM FABRICS (LOCKSTITCH TYPE) PC-40V3C FOR CHINO FABRICS (LOCKSTITCH TYPE)
SEWING HEAD	DESIGNED BY EFATECH-ALUMINIUM SEWING HEAD
PRODUCTION CAPACITY	330-350 PIECES/HOUR
MAX SEWING SPEED	3000 rpm
PNEUMATIC GROUP	SMC
AUTOMATION GROUP	MITSUBISHI
STITCHES PER CM	1-12 STITCHES (CAN BE SET FROM TOUCH PANEL)
HEMMING PARAMETERS	2 TO 4 CM WIDTH LE TO 55 CM LENGHT
NOISE	MACHINE NOISE WHEN MACHINE OPERATED: 5500 RPM LpA 34dB
BOTTOM PULLER	ADJUSTABLE SERVO MOTOR
SEWING HEAD MOTOR	DIRECT DRIVE SERVO MOTOR
TOP PULLER	ADJUSTABLE SERVO MOTOR
VOLTAGE	230 V
POWER	1.8 KW / 32 A
AIR PRESSURE	6-7 BAR
NET WEIGHT	100 KG

SEWING HEAD

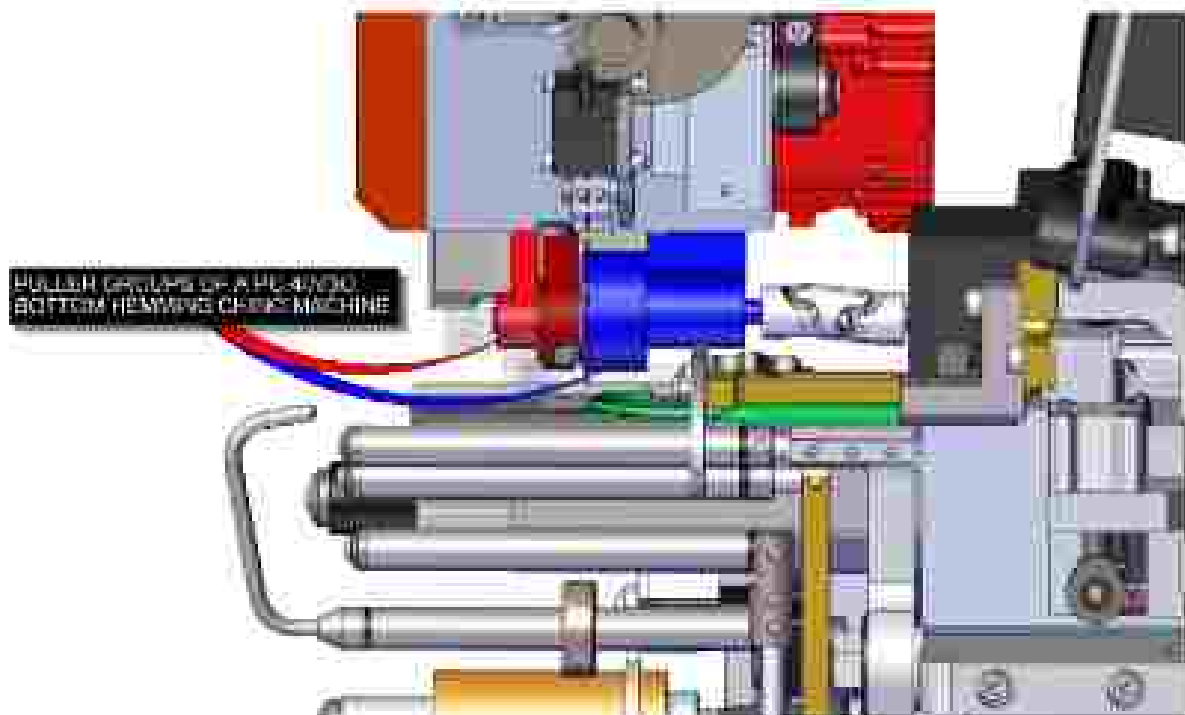


ALUMINIUM AND LIUQUE DESING SEWING HEAD

ADJUSTABLE TOP AND BOTTOM PULLER SERVO MOTOR

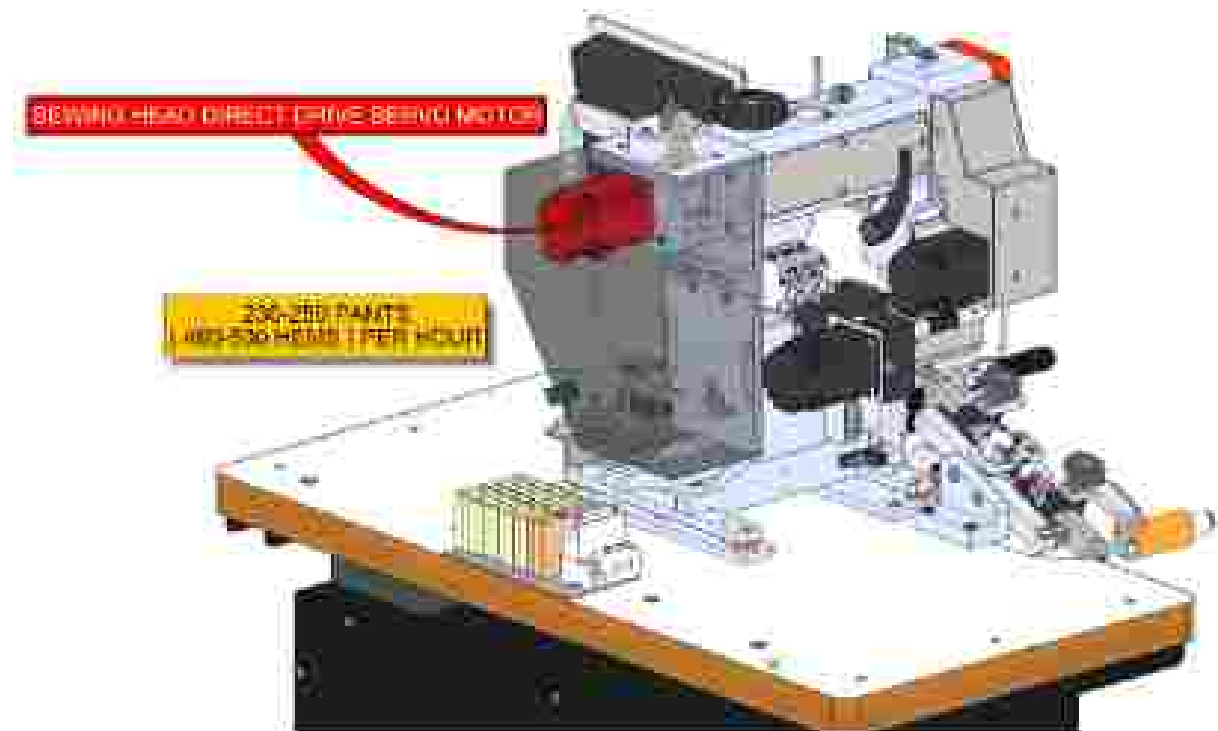


PC-40V3C HAS ADJUSTABLE TOP AND BOTTOM PULLER SERVO MOTORS AS SHOWN ON FIGURE.



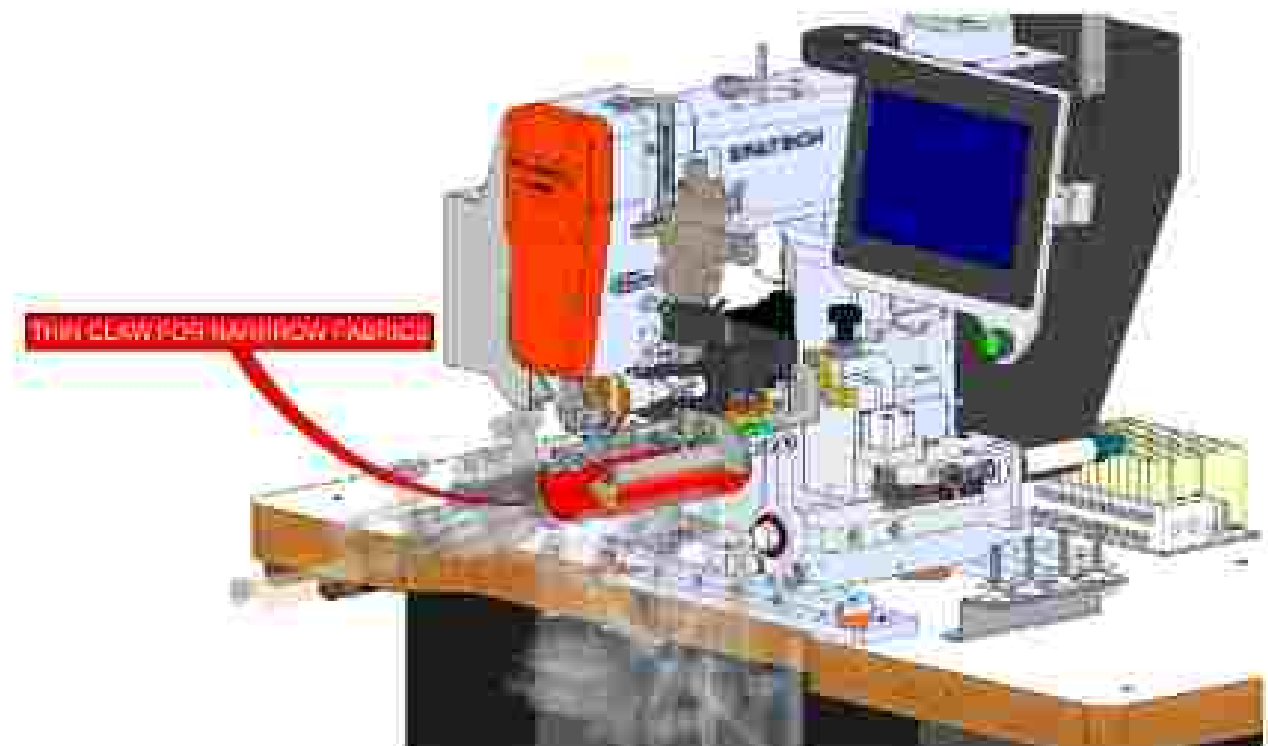
PC-40V3C CHIND MACHINE HAS 2 PULLER SYSTEM FOR MAKE JOINTS ON LINE AND ACCURATE ON CHIND FABRICS.

SEWING HEAD DIRECT DRIVE SERVO MOTOR AND PRODUCTION DATA



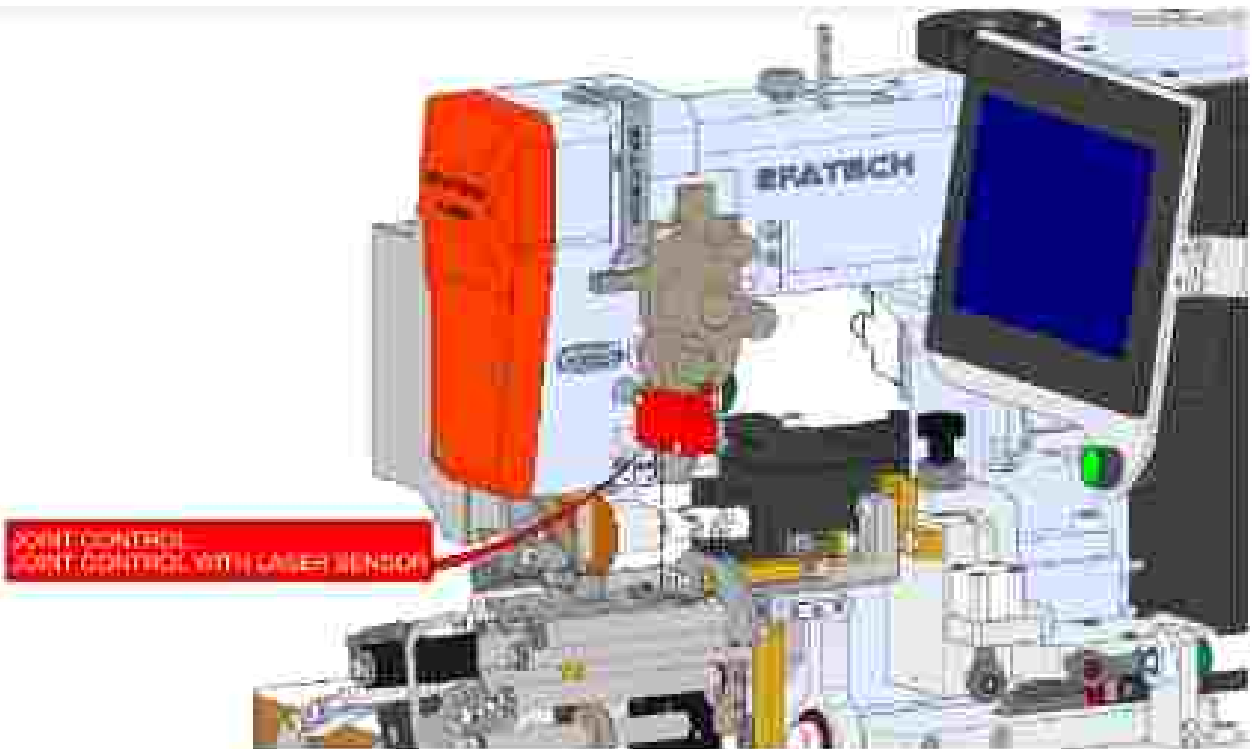
PC-40V3C HAS 3500 RPM SEWING SPEED:

THIN CLAW FOR NARROW FABRICS

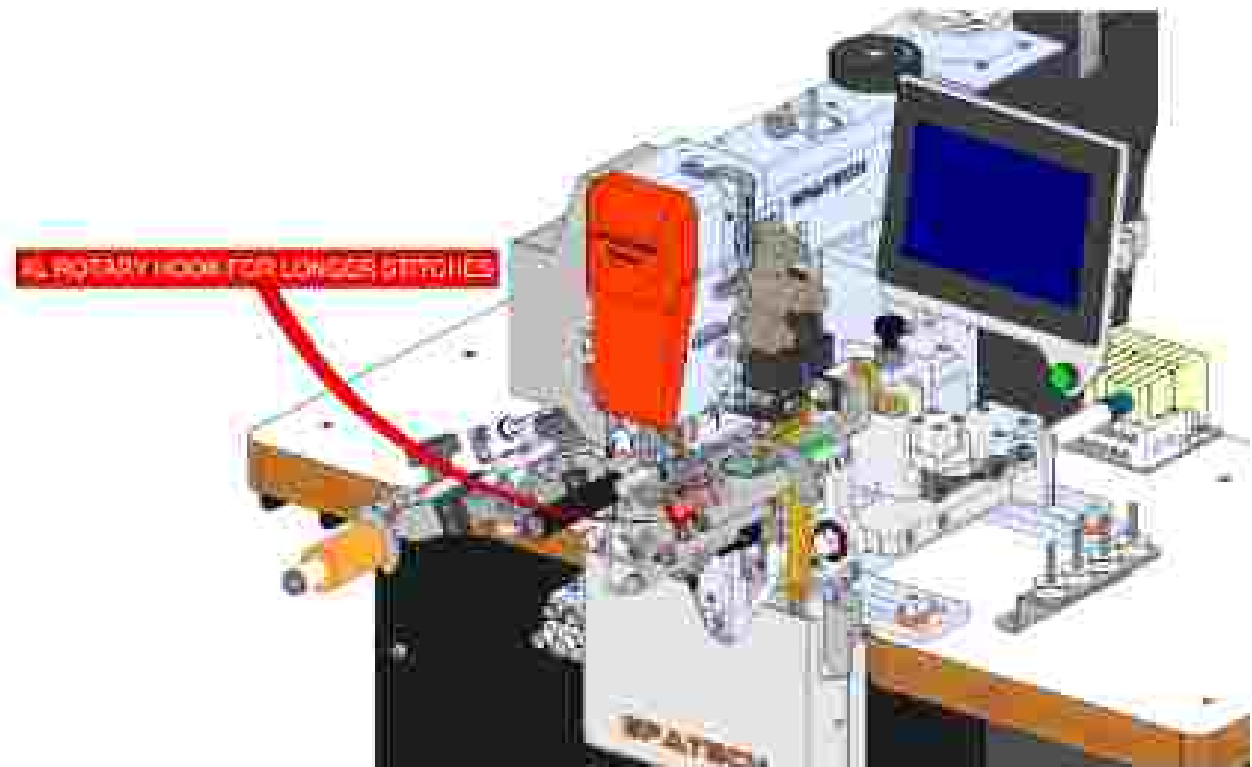


PC-40V3C IS ABLE TO WORK WITH NARROW FABRICS DUE TO THE THIN CLAW.

JOINT CONTROL

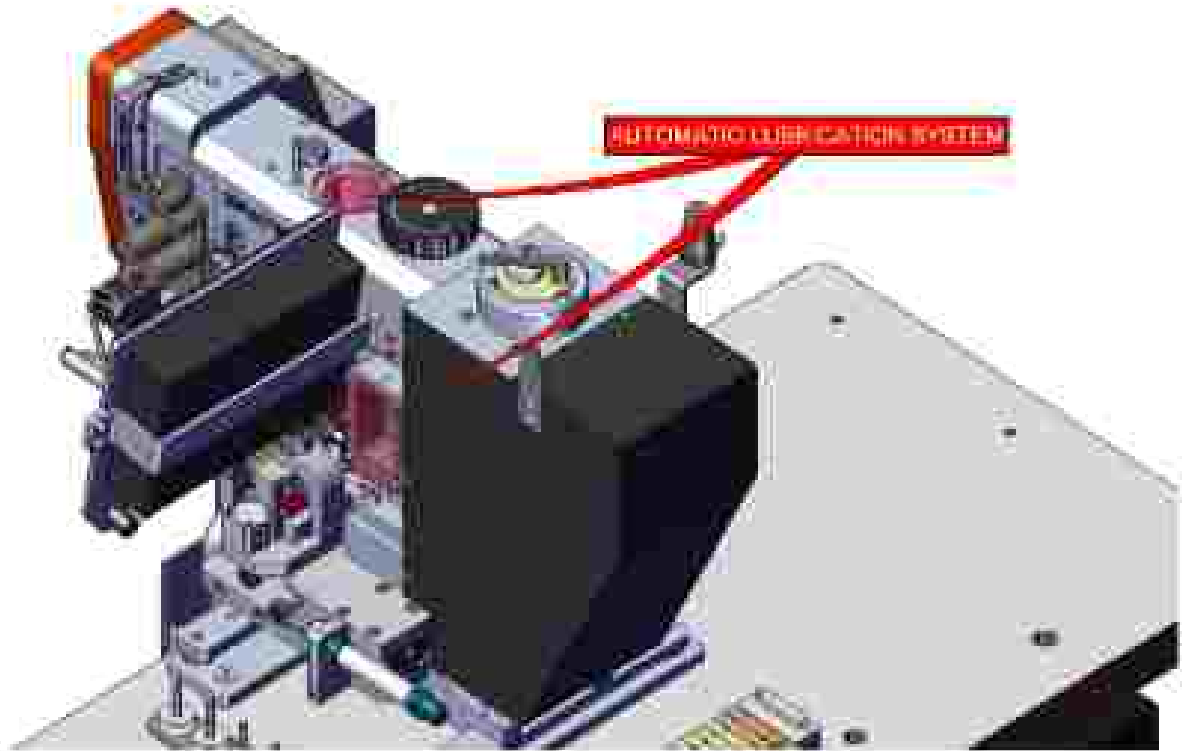


PC-40V3C HAS A LASER SENSOR THAT CONTROL THE JOINTS ON FABRIC AUTOMATICLY.
XL ROTARY HOOK FOR LONGER STITCHES

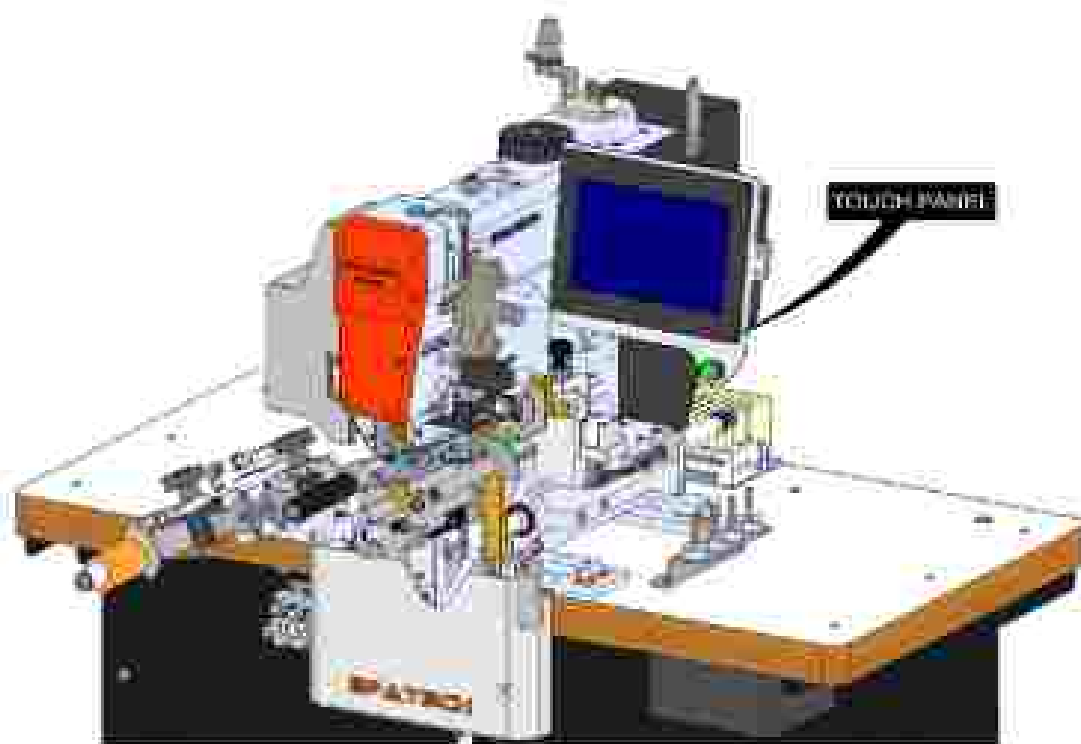


PC-40V3C HAS XL ROTARY HOOK WHICH IS ABLE TO DO LONGER STITCHES.

LUBRICATION SYSTEM OF PC-40V3H

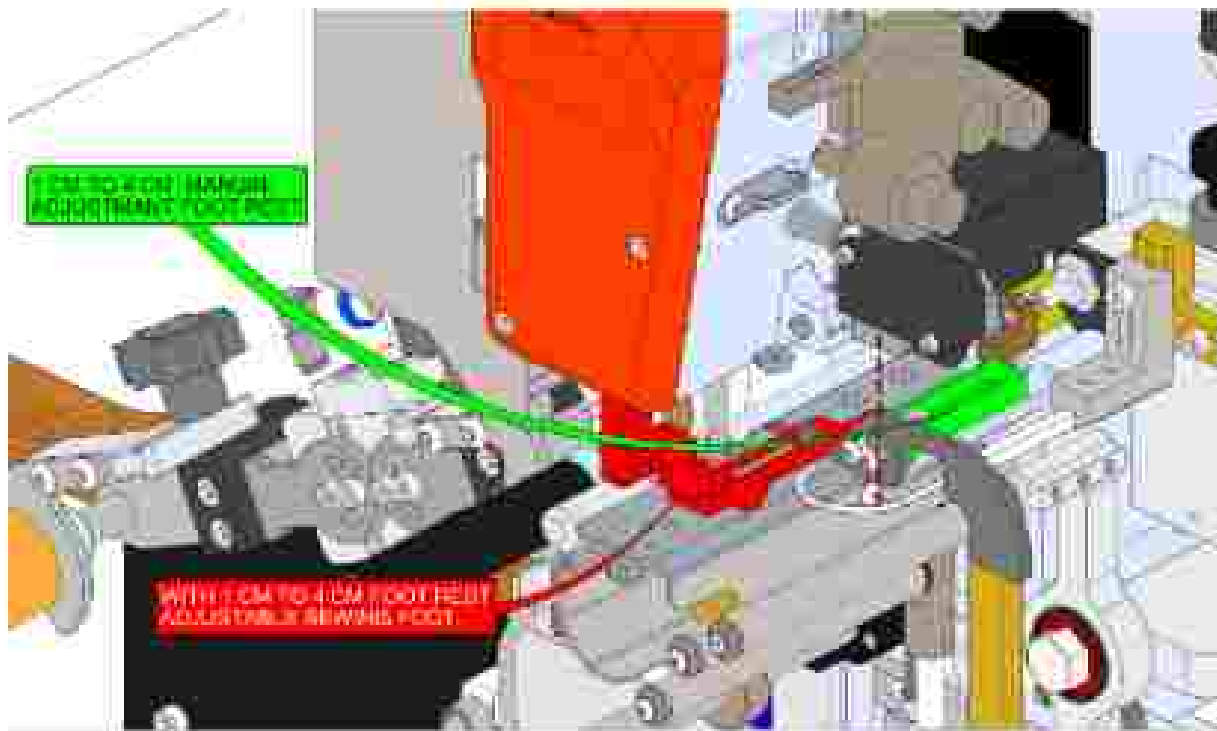


PC-40V3C HAS OIL TANKS THAT LUBRICATE THE MACHINE AUTOMATICALLY.
OPERATION PANEL



EFATECH PC-40V3H HAS A MITSUBISHI TOUCH PANEL THAT OPERATOR CAN SEE AND CHANGE THE OPERATIONS AND SETTINGS.

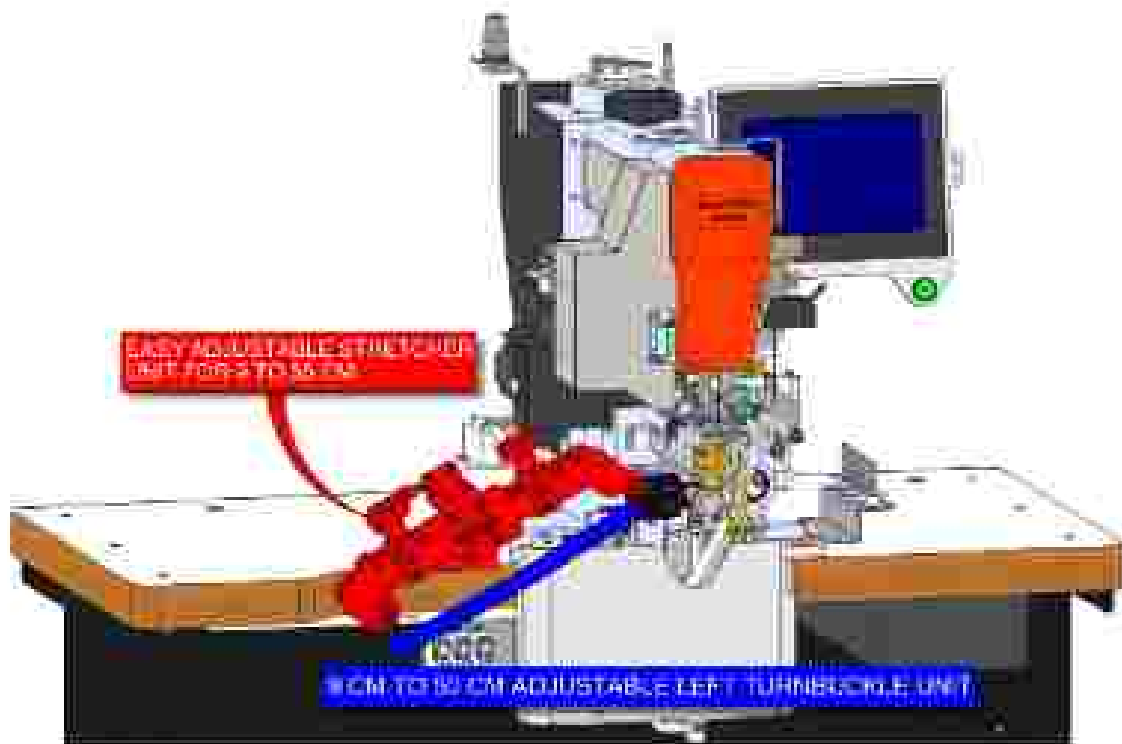
INDEPENDENT SEWING FOOT



ADJUSTABLE SEWING FOOT BY THE HELP OF 1 TO 4 CM FOOT REST.

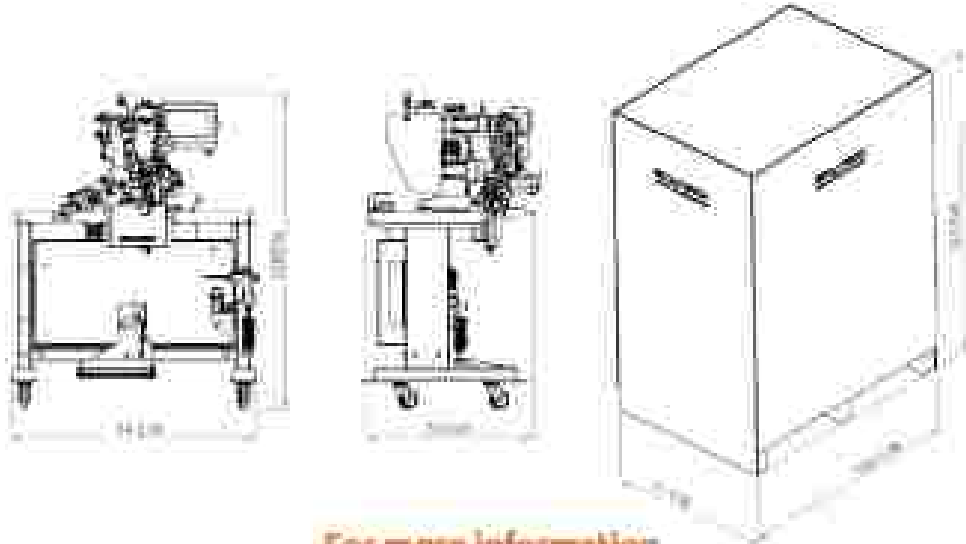
DUE TO THE INDEPENDENT FOOT, MACHINE IS ABLE TO DO SMOOTH STITCHES WITHOUT WAVY EDGE STITCHES.

ADJUSTABLE STRETCHER UNIT



SUITS FOR ALL DIAMETERS BETWEEN 9 CM TO 50 CM.

**PC-40V3H AND PC-40V3C BOTTOM HEMMING MACHINE DENIM AND CHINO
OVERALL DIMENSIONS**



For more information

Contact Us



www.efatech.com.tr

Email

info@efatech.com.tr

Phone

0090 212 610 5221