

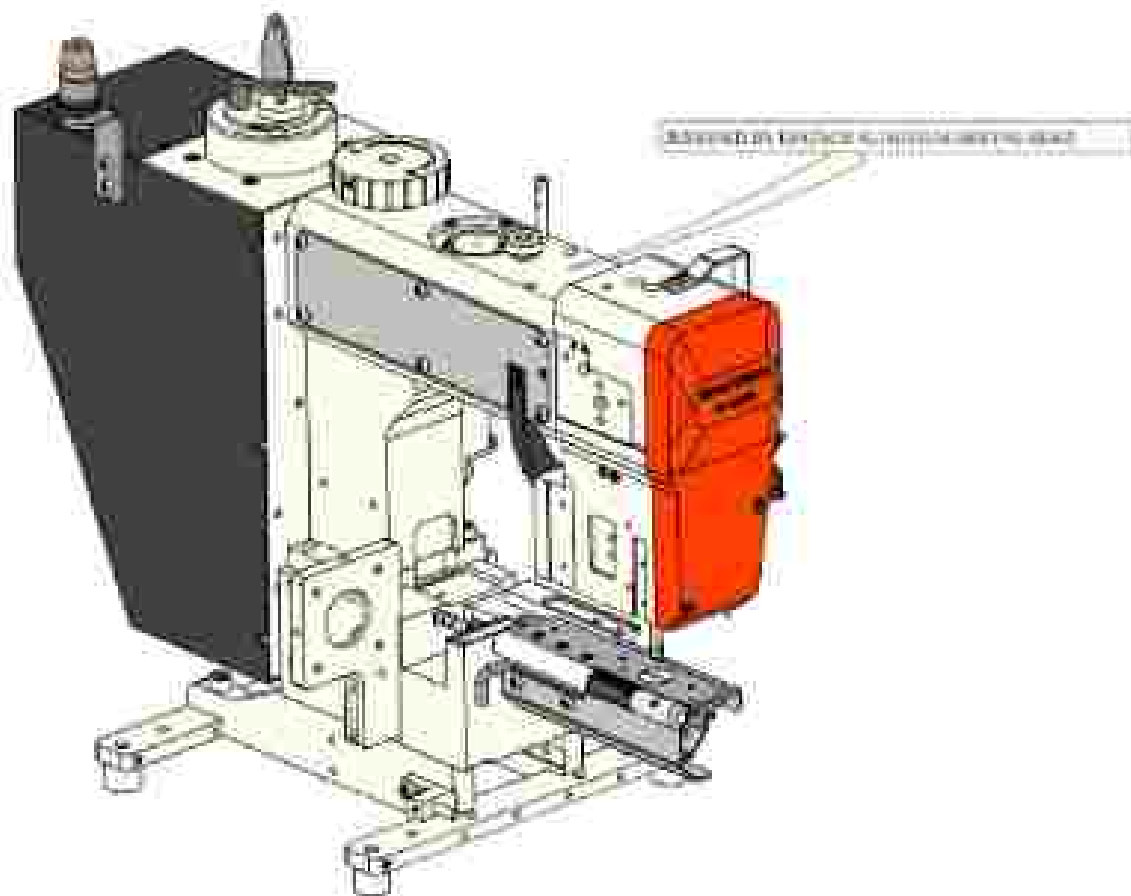
PC-40V3H BOTTOM HEMMING MACHINE DENIM



PC-40V3 TECHNICAL SPECIFICATIONS

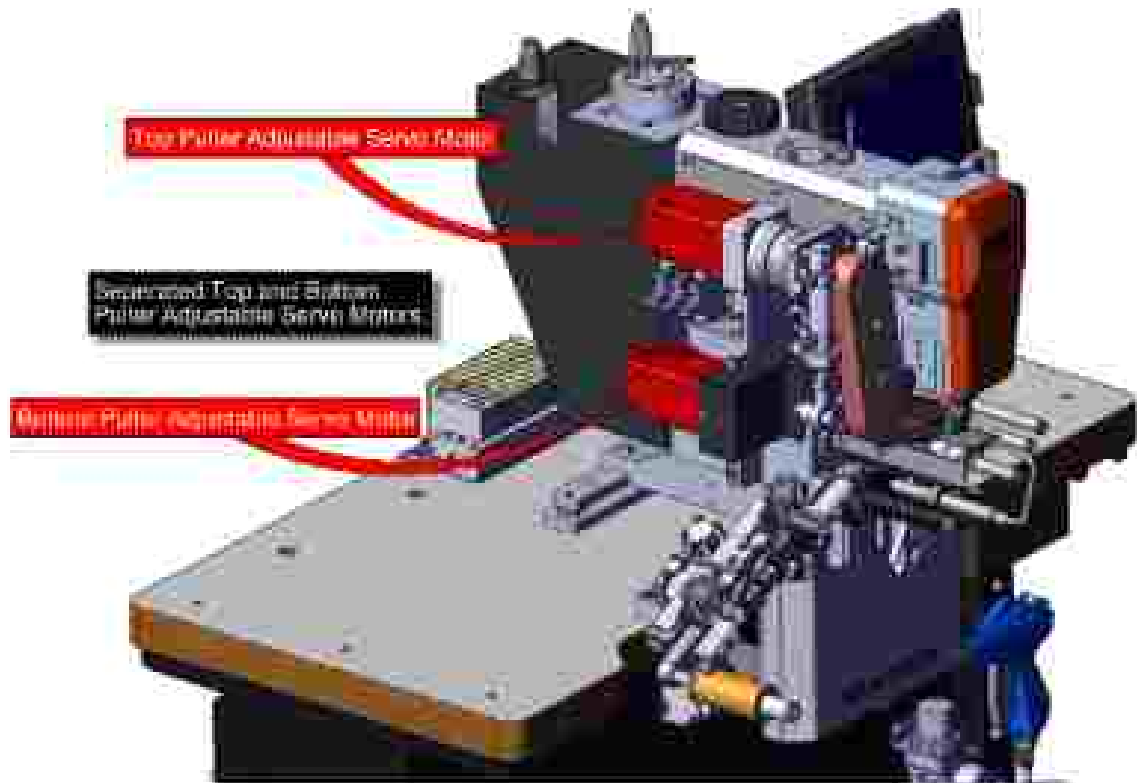
APPLICATION	PC-40V3H/PC-40V3C BOTTOM HEMMING MACHINE
OPTIONS	PC-40V3H FOR DENIM FABRICS (LOCKSTITCH TYPE) PC-40V3C FOR CHINO FABRICS (LOCKSTITCH TYPE)
SEWING HEAD	DESIGNED BY EFATECH - ALUMINIUM SEWING HEAD
PRODUCTION CAPACITY	330-350 PIECES/HOUR
MAX SEWING SPEED	3000 rpm
PNEUMATIC GROUP	SMC
AUTOMATION GROUP	mitsubishi
STITCHES PER CM	1-12 STITCHES (CAN BE SET FROM TOUCH PANEL)
HEMMING PARAMETERS	1 TO 4 CM WIDTH 16 TO 55 CM LENGTH
NOISE	MACHINE NOISE WHEN MACHINE OPERATED: 5500 RPM LpA 34dB
BOTTOM PULLER	ADJUSTABLE SERVO MOTOR
SEWING HEAD MOTOR	DIRECT DRIVE SERVO MOTOR
TOP PULLER	ADJUSTABLE SERVO MOTOR
VOLTAGE	230 V
POWER	1.8 KW / 32 A
AIR PRESSURE	6-7 BAR
NET WEIGHT	100 KG

SEWING HEAD



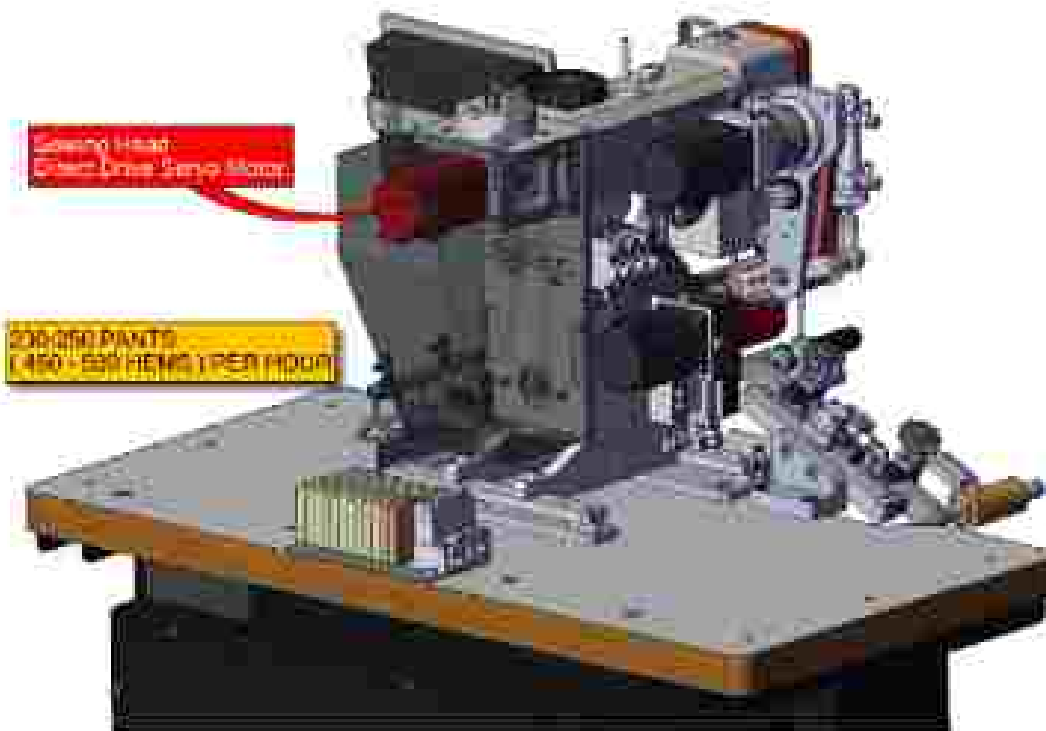
ALUMINIUM AND UNIQUE DESIGN SEWING HEAD

ADJUSTABLE TOP AND BOTTOM PULLER SERVO MOTOR



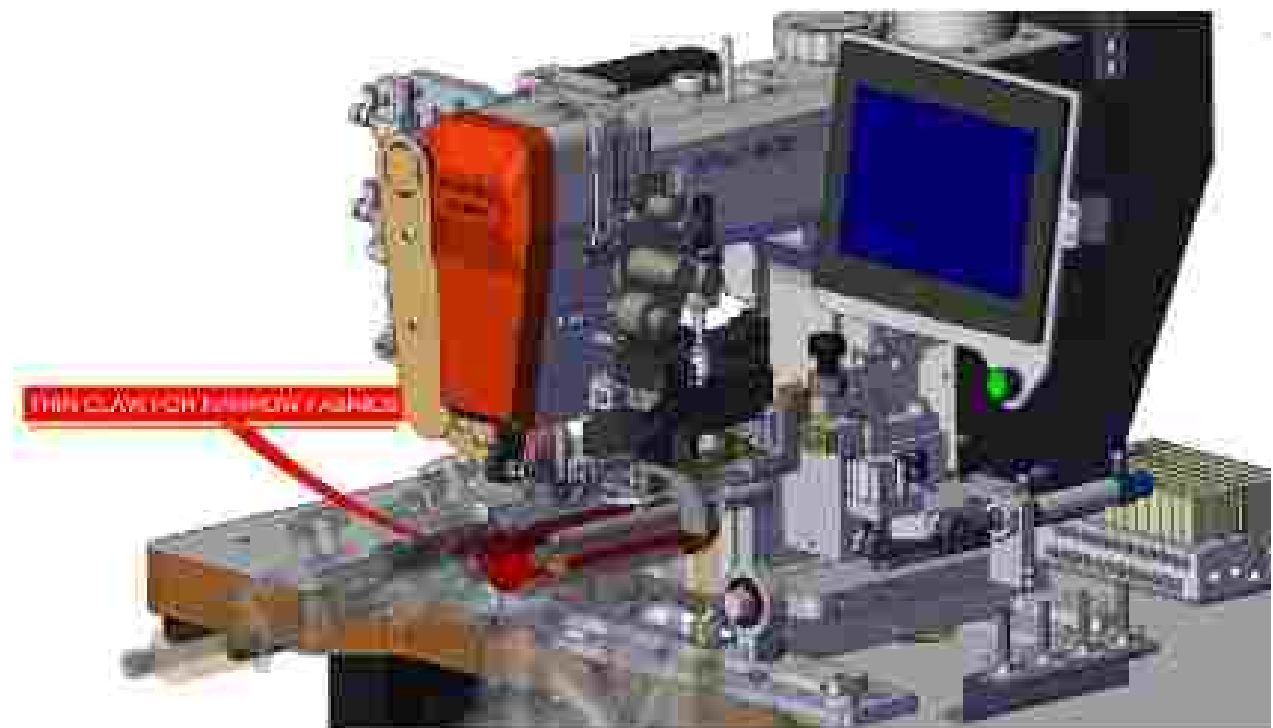
PC-40V3H has adjustable top and bottom puller servo motors as shown on figure.

SEWING HEAD DIRECT DRIVE SERVO MOTOR AND PRODUCTION DATA



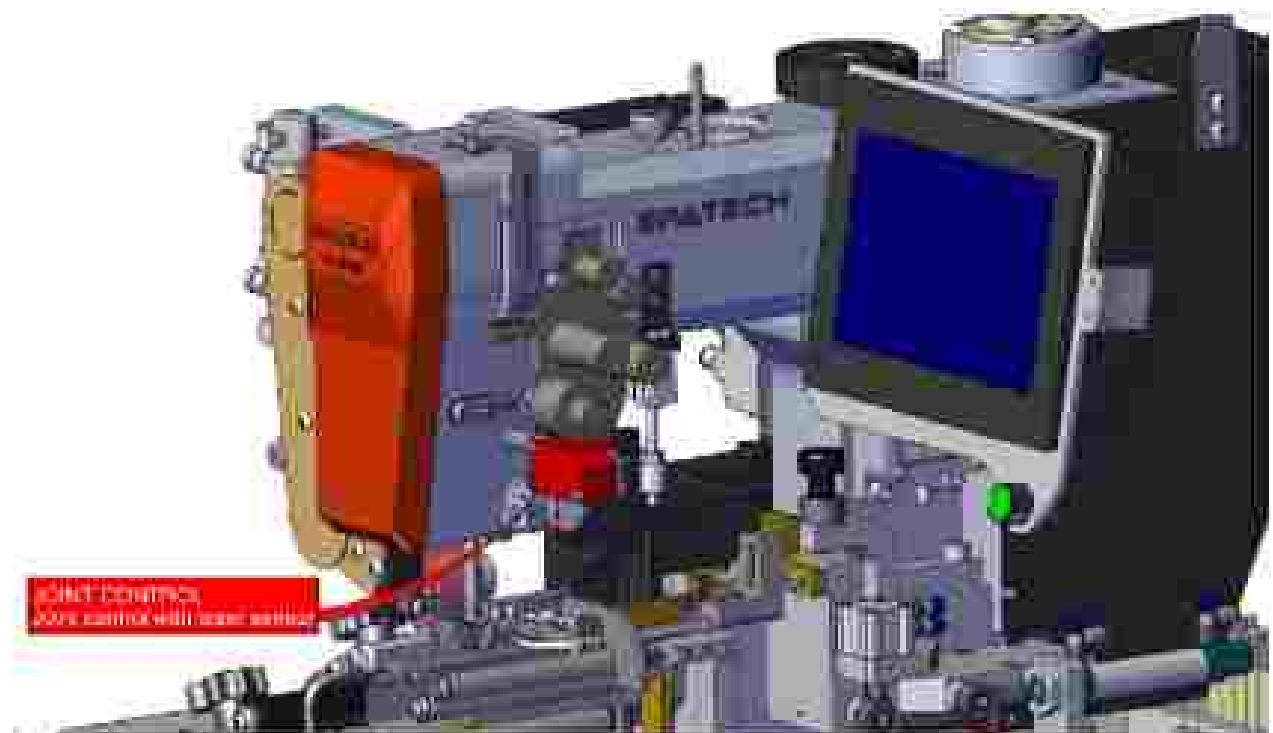
PC-40V3H HAS 3500 RPM SEWING SPEED.

THIN CLAW FOR NARROW FABRICS



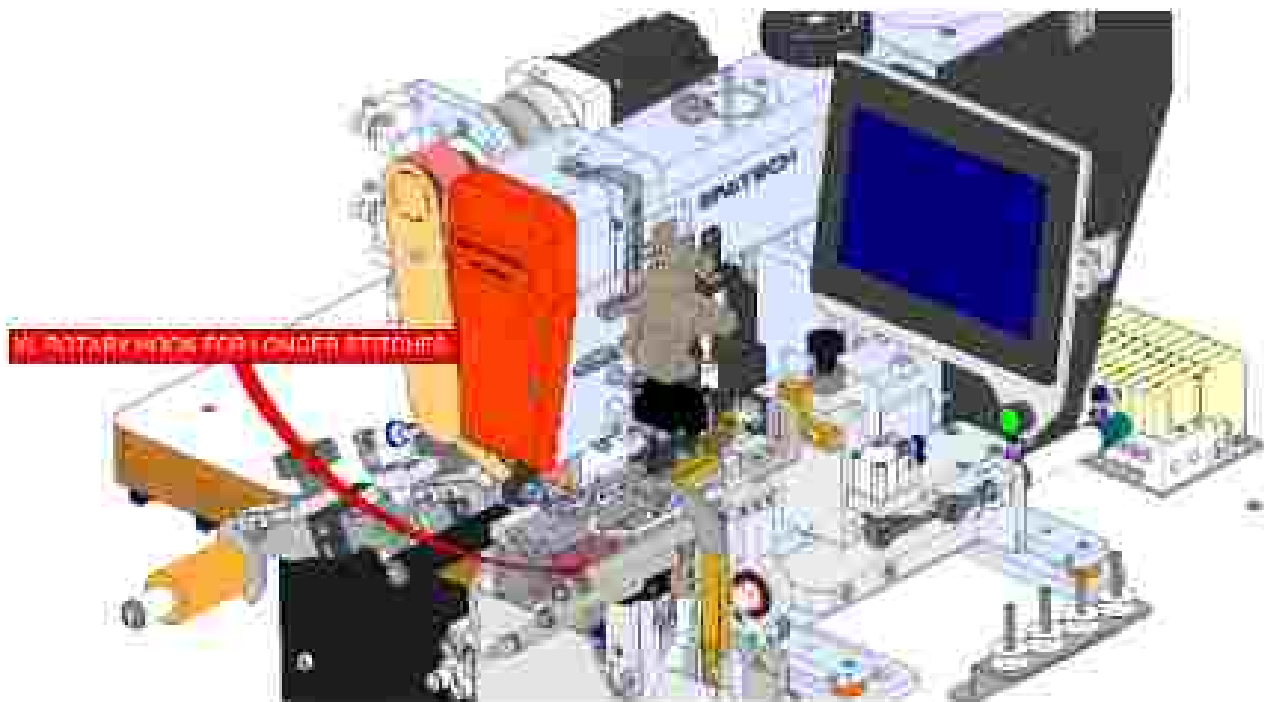
PC-40V3H IS ABLE TO WORK WITH NARROW FABRICS DUE TO THE THIN CLAW.

JOINT CONTROL



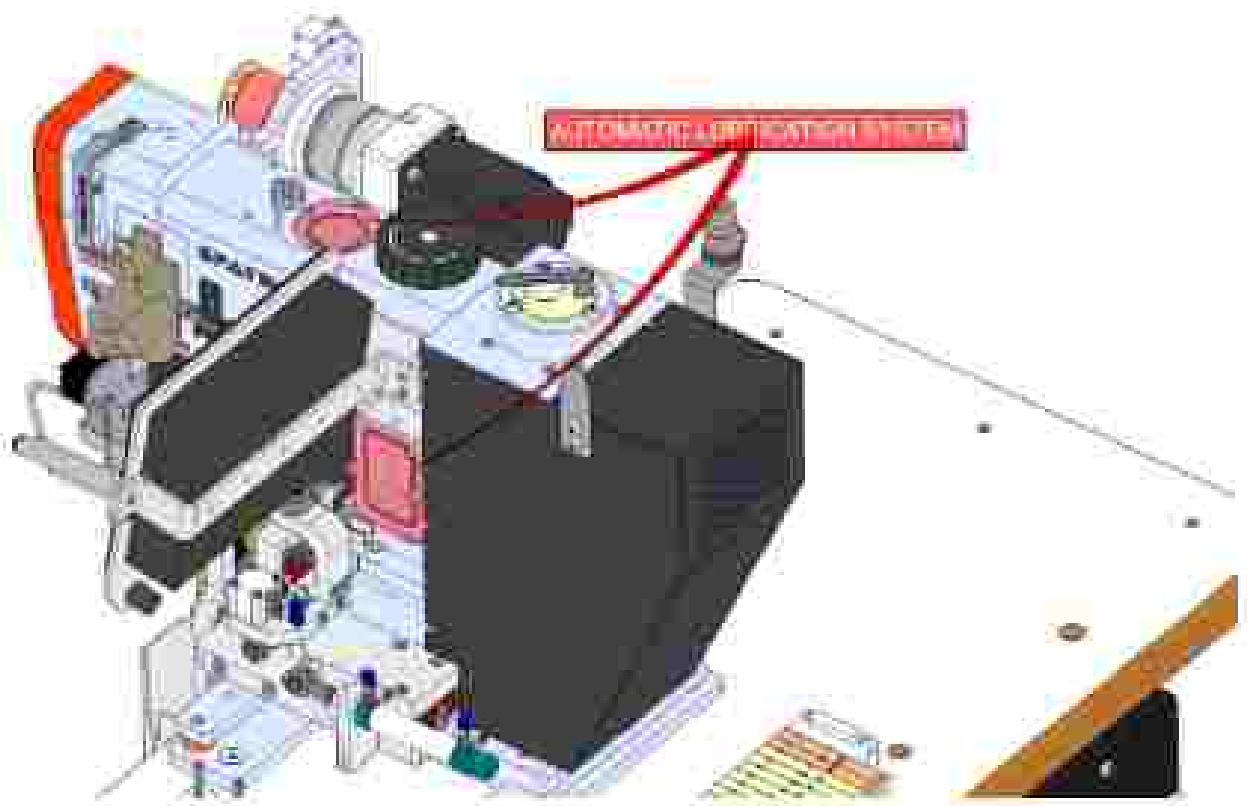
PC-40V3H HAS A LASER SENSOR THAT CONTROL THE JOINTS ON FABRIC AUTOMATICLY.

XL ROTARY HOOK FOR LONGER STITCHES



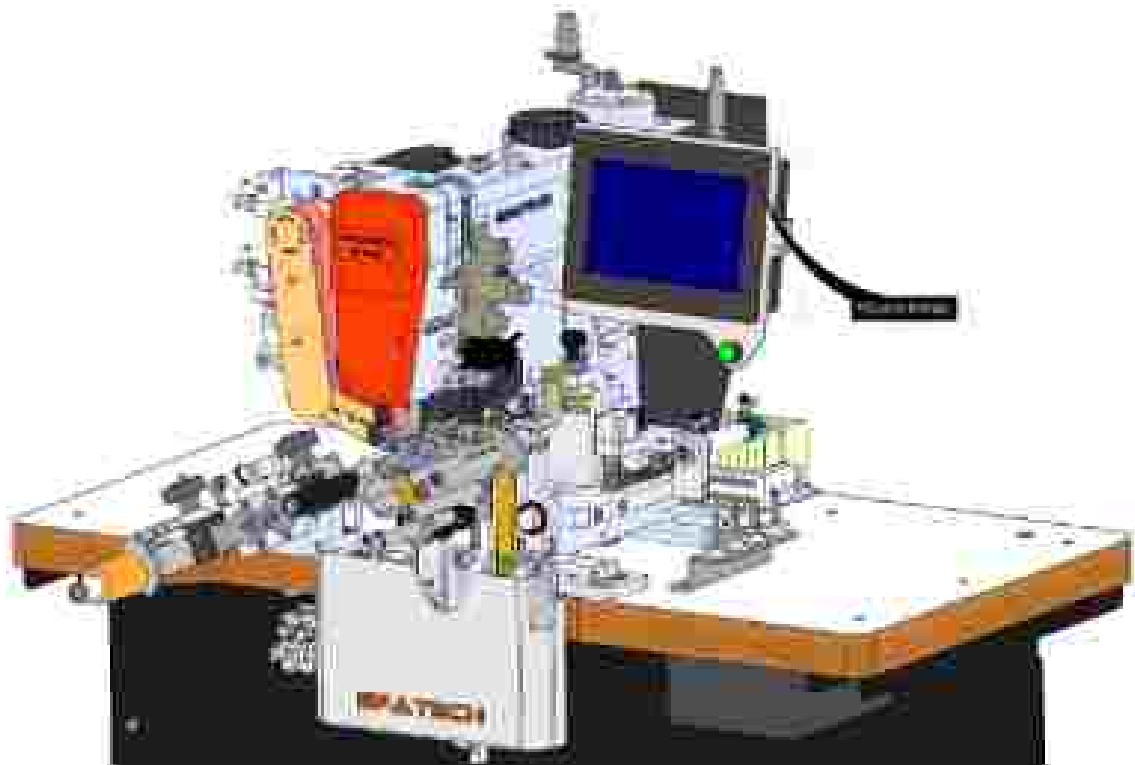
PC-40V3H HAS XL ROTARY HOOK WHICH IS ABLE TO DO LONGER STITCHES.

LUBRICATION SYSTEM OF PC-40V3H



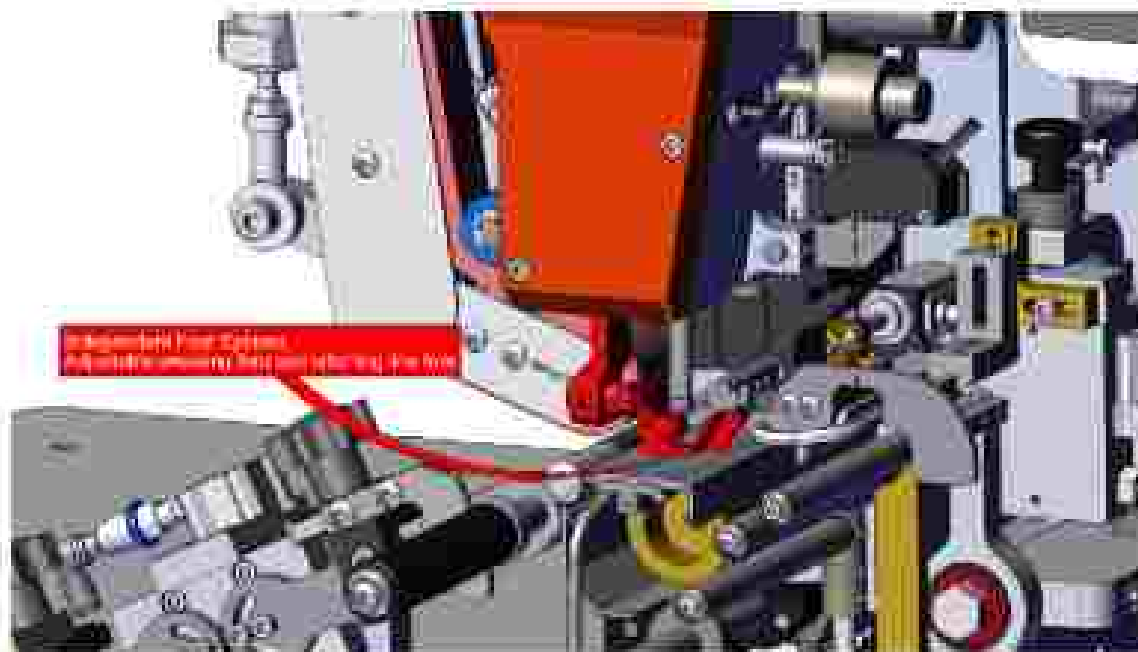
PC-40V3H HAS OIL TANKS THAT LUBRICATE THE MACHINE AUTOMATICLY.

OPERATION PANEL



EFATECH PC-40V3H HAS A MITSUBISHI TOUCH PANEL THAT OPERATOR CAN SEE AND CHANGE THE OPERATIONS AND SETTINGS.

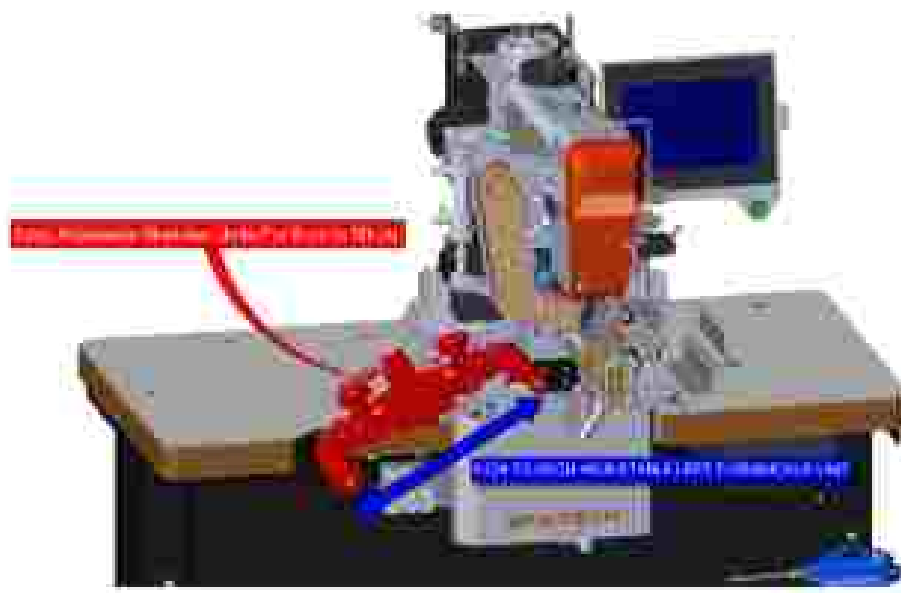
INDEPENDENT SEWING FOOT



ADJUSTABLE PRESSURE FOOT AND EDGE STITCH FOOT.

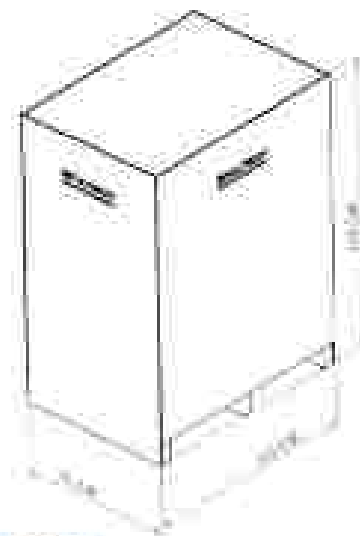
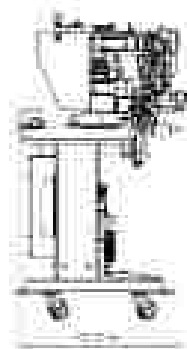
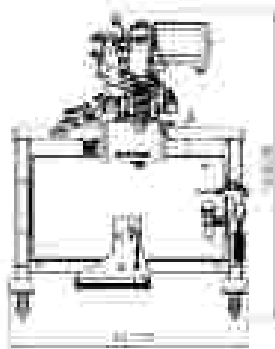
DUE TO THE INDEPENDENT FOOT, MACHINE IS ABLE TO DO SMOOTH STITCHES WITHOUT WAVY EDGE STITCHES.

SUITABLE FOR ALL DIAMETERS BETWEEN 9 CM TO 50 CM



PC-40V3H AND PC-40V3C BOTTOM HEMMING MACHINE DENIM AND CHINO

OVERALL DIMENSIONS



For more information

Contact Us



www.efatech.com.tr

[E-mail
info@efatech.com.tr](mailto:info@efatech.com.tr)

[Phone
+90312 550 15 00](tel:+903125501500)